

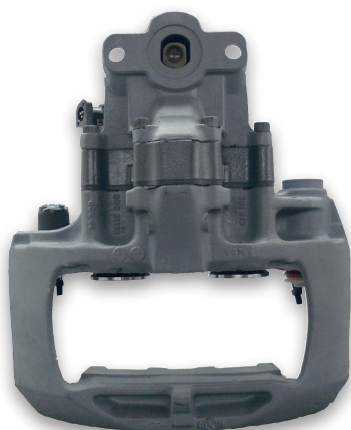
MERITOR REMANUFACTURED CALIPER PRODUCT UPDATE

SB7 Radial

New Universal Potentiometer Cover



At Meritor we work hard to ensure that we are constantly improving our remanufactured product range. This note is intended to inform you of our latest changes and improvements:



Range Additions

We are pleased to announce the introduction of remanufactured versions of the following calipers:

SALES PART NUMBER	APPLICATIONS	CROSS REFERENCES
<p>MXCE9103127</p> <p>SB7 Radial 93° Continuous Potentiometer</p>	ZF Axles	<p>Knorr – K010053, K006540, K010657, K012277, K032544, SB7230, SB7425, SC7425RC.</p> <p>Scania – 1921154, 1757013.</p> <p>ZF – 0501007885, 0501008008, 0501008062, 0501008413.</p>
<p>MXCE9103128</p> <p>SB7 Radial 93° Continuous Potentiometer</p>	ZF Axles	<p>Knorr – K010054, K006539, K010656, K012276, K032543, SB7220, SB7435, SC7435RC.</p> <p>Scania – 1921149, 1757012.</p> <p>ZF – 0501007884, 0501008007, 0501008061, 0501008412.</p>

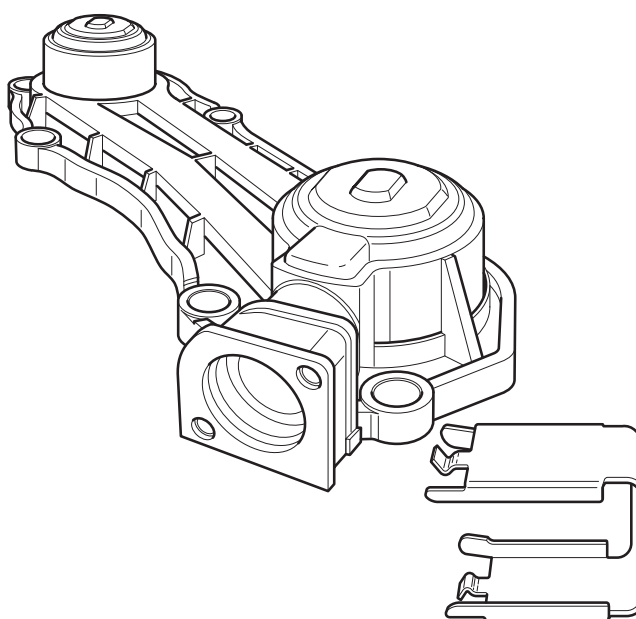
Please note that the new references MXCE9103127 & 128 are similar to existing part numbers MXCE9103053 & 054 but they are fitted with a square, clip type potentiometer cover. MXCE9103053 & 054 have a round, screw fit type potentiometer cover.



REMANUFACTURED CALIPER PRODUCT UPDATE

NEW UNIVERSAL POTENTIOMETER COVER

We are pleased to announce the introduction of a new universal potentiometer cover for remanufactured axial Knorr calipers. This newly design cover enables the installer to fit the same caliper to vehicles with either 'screw' type potentiometer plugs or 'clip' type potentiometer plugs without the need for wiring or plug modifications. The cover provides secure connection for either plug type whilst providing protection against water ingress.



This new cover will be gradually introduced into production over the coming weeks and deliveries of product will gradually change to the new cover type. Please note this change currently only affects axial type calipers, radial calipers will continue with specific screw or clip fixings.

Calipers that will be fitted with the new universal cover are:

MXCE9102001	MXCE9102502	MXCE9103023	MXCE9103114
MXCE9102002	MXCE9103001	MXCE9103024	MXCE9103119
MXCE9102003	MXCE9103002	MXCE9103029	MXCE9103120
MXCE9102004	MXCE9103003	MXCE9103030	MXCE9103123
MXCE9102015	MXCE9103004	MXCE9103043	MXCE9103124
MXCE9102016	MXCE9103013	MXCE9103044	MXCE9103153
MXCE9102017	MXCE9103014	MXCE9103045	MXCE9103154
MXCE9102018	MXCE9103019	MXCE9103046	MXCE9103503
MXCE9102501	MXCE9103020	MXCE9103113	MXCE9103504

Vehicle and trailer manufacturer numbers are supplied for reference purposes only.

Contact your Meritor sales manager or customer service representative for more information.

Your Sales and Marketing Team



The designated trademarks are registered marks of their respective owners and neither Meritor or Trucktechnic are commercially connected, affiliated or associated with any of such marks. Some of the products referred to or shown in this information sheet are remanufactured from calipers and other components originating from the trademark owners. The Meritor and Trucktechnic products presented herein are not endorsed or authorised by any of the trademark owners.