

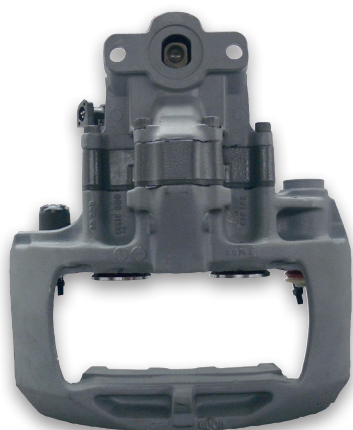
MERITOR REMANUFACTURED CALIPER PRODUCT UPDATE

SB7 Radial

New Universal Potentiometer Cover



At Meritor we work hard to ensure that we are constantly improving our remanufactured product range. This note is intended to inform you of our latest changes and improvements:



Range Additions

We are pleased to announce the introduction of remanufactured versions of the following calipers:

SALES PART NUMBER	APPLICATIONS	CROSS REFERENCES
<p>MXC09103127</p> <p>SB7 Radial 93° Continuous Potentiometer</p>	ZF Axles	<p>Knorr – K010053, K006540, K010657, K012277, K032544, SB7230, SB7425, SC7425RC.</p> <p>Scania – 1921154, 1757013.</p> <p>ZF – 0501007885, 0501008008, 0501008062, 0501008413.</p>
<p>MXC09103128</p> <p>SB7 Radial 93° Continuous Potentiometer</p>	ZF Axles	<p>Knorr – K010054, K006539, K010656, K012276, K032543, SB7220, SB7435, SC7435RC.</p> <p>Scania – 1921149, 1757012.</p> <p>ZF – 0501007884, 0501008007, 0501008061, 0501008412.</p>

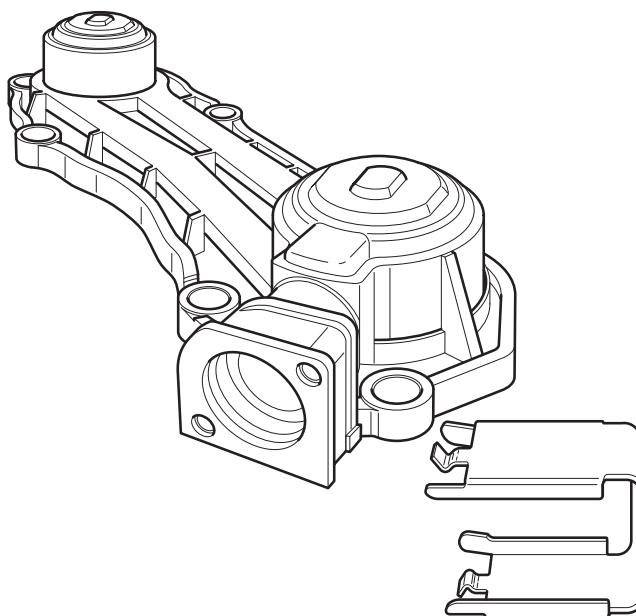
Please note that the new references MXC09103127 & 128 are similar to existing part numbers MXC09103053 & 054 but they are fitted with a square, clip type potentiometer cover. MXC09103053 & 054 have a round, screw fit type potentiometer cover.



REMANUFACTURED CALIPER PRODUCT UPDATE

NEW UNIVERSAL POTENTIOMETER COVER

We are pleased to announce the introduction of a new universal potentiometer cover for remanufactured axial Knorr calipers. This newly design cover enables the installer to fit the same caliper to vehicles with either 'screw' type potentiometer plugs or 'clip' type potentiometer plugs without the need for wiring or plug modifications. The cover provides secure connection for either plug type whilst providing protection against water ingress.



This new cover will be gradually introduced into production over the coming weeks and deliveries of product will gradually change to the new cover type. Please note this change currently only affects axial type calipers, radial calipers will continue with specific screw or clip fixings.

Calipers that will be fitted with the new universal cover are:

MXC09102001	MXC09102502	MXC09103023	MXC09103114
MXC09102002	MXC09103001	MXC09103024	MXC09103119
MXC09102003	MXC09103002	MXC09103029	MXC09103120
MXC09102004	MXC09103003	MXC09103030	MXC09103123
MXC09102015	MXC09103004	MXC09103043	MXC09103124
MXC09102016	MXC09103013	MXC09103044	MXC09103153
MXC09102017	MXC09103014	MXC09103045	MXC09103154
MXC09102018	MXC09103019	MXC09103046	MXC09103503
MXC09102501	MXC09103020	MXC09103113	MXC09103504

Vehicle and trailer manufacturer numbers are supplied for reference purposes only.

Contact your Meritor sales manager or customer service representative for more information.

Your Sales and Marketing Team



The designated trademarks are registered marks of their respective owners and neither Meritor or Trucktechnic are commercially connected, affiliated or associated with any of such marks. Some of the products referred to or shown in this information sheet are remanufactured from callipers and other components originating from the trademark owners. The Meritor and Trucktechnic products presented herein are not endorsed or authorised by any of the trademark owners.